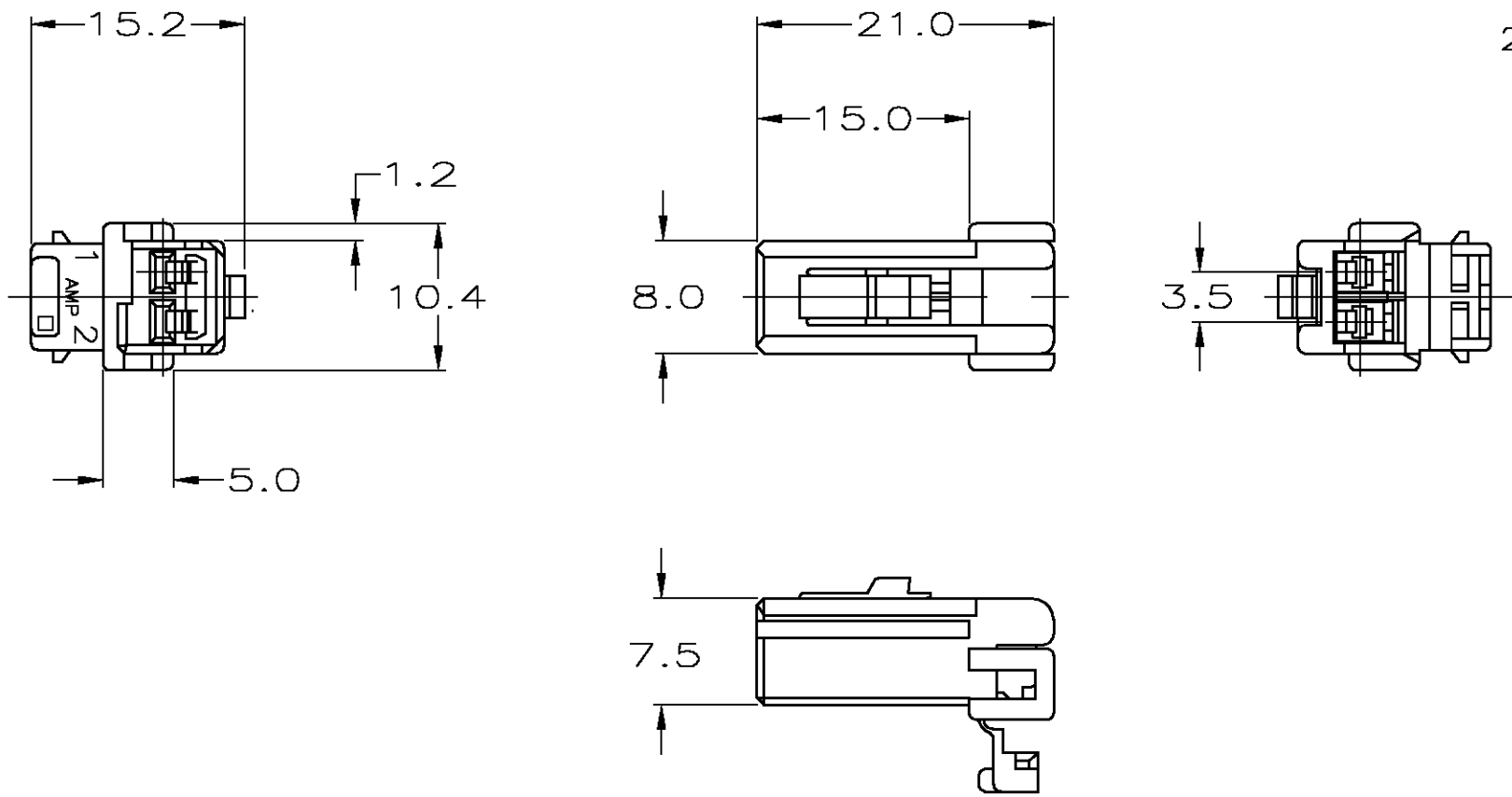


THIS DRAWING IS UNPUBLISHED. RELEASED FOR PUBLICATION  
 © COPYRIGHT BY TYCO ELECTRONICS CORPORATION. ALL RIGHTS RESERVED.

LOC	DIST	REVISIONS			
P	LTR	DESCRIPTION	DATE	DWN	APVD
FX	55	B	REDRAWN - EC 0K80-0003-03	05FEB03	JRB/SSA

1. MATES TO MOLDED-IN INTERFACE DEVICE.
2. APPLIED CONTACT PART NUMBER 173631.



GRAY	776128-6
COLOR	PART NUMBER

THIS DRAWING IS A CONTROLLED DOCUMENT.		DWN P. YEAGER 9-6-96	Tyco Electronics Corporation Harrisburg, PA 17105-3608	
DIMENSIONS: MM		CHK R. GRAY 9-6-96		
		APVD R. GRAY 9-6-96	NAME PLUG HSG,2 POSN,LEFT KEYED .070 SERIES MULTI-LOCK	
TOLERANCES UNLESS OTHERWISE SPECIFIED:		PRODUCT SPEC	-	
0 PLC ± - 1 PLC ± 0.25 2 PLC ± 0.13 3 PLC ± - 4 PLC ± - ANGLES ± -		APPLICATION SPEC	-	
MATERIAL PBT		FINISH -	WEIGHT -	RESTRICTED TO -
CUSTOMER DRAWING			SIZE A3	CAGE CODE 00779
			DRAWING NO C-776128	REV B
			SCALE 2:1	SHEET 1 OF 1